



Illustrated Parts List

Model Series

129800

TYPE NUMBERS
0100 through 4401.

TABLE OF CONTENTS

Alternator	8
Air Cleaner	4
Blower Housing/Shrouds	6
Camshaft	2
Carburetor	3
Controls	5
Crankshaft	2
Cylinder	2
Electric Starter	8
Electrical	8
Engine Sump	2
Exhaust System	4
Flywheel	7
Flywheel Brake	8
Fuel Supply	5
Governor Spring	5
Ignition	8
Kits/Gaskets	2 & 3
Lubrication	2
Piston Group	2
Rewind Starter	7
Valves	2

PRINTED IN U.S.A.



COPYRIGHT by BRIGGS & STRATTON CORPORATION
All rights reserved. No part of this material may be reproduced or transmitted, in any form or by any means, electronic or mechanical, including photocopying, recording or by any information storage and retrieval system, without permission in writing from Briggs & Stratton Corporation.

1319 WARNING LABEL



REQUIRED when replacing parts with warning labels affixed.

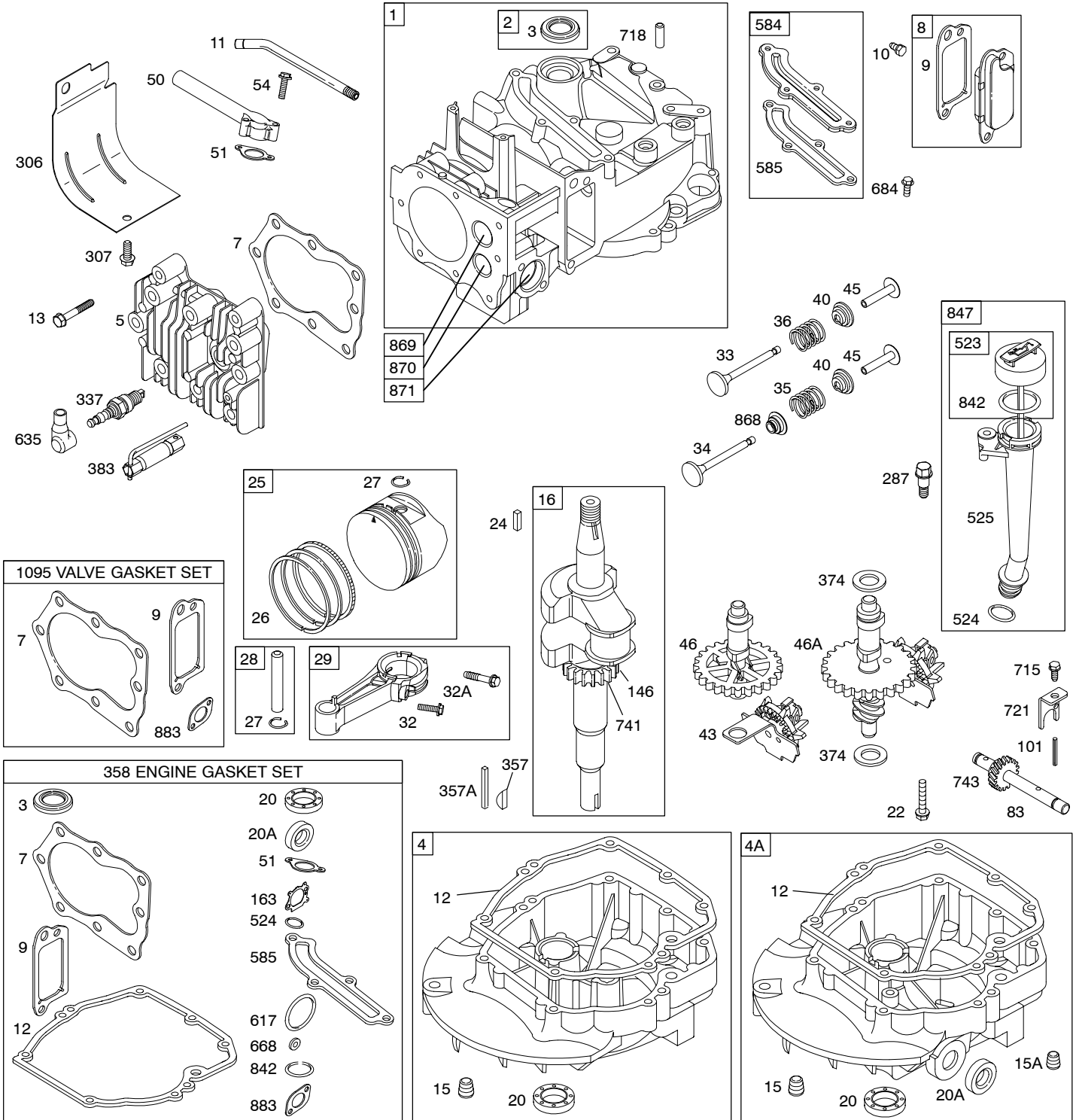
1058 OPERATOR'S MANUAL



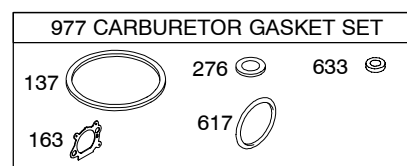
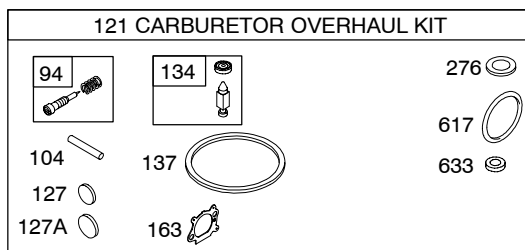
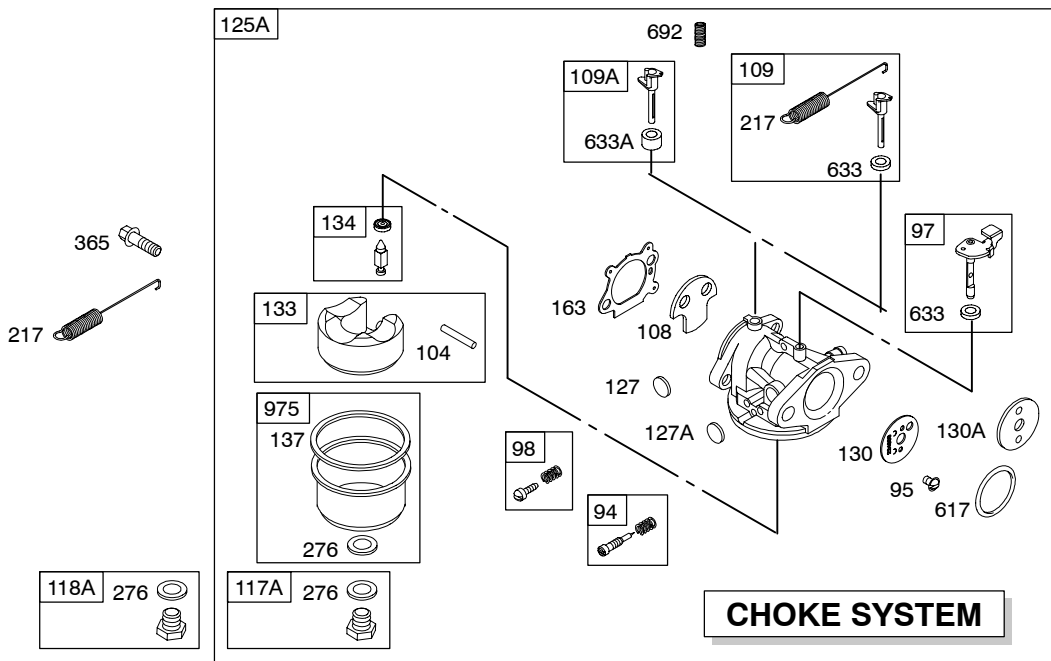
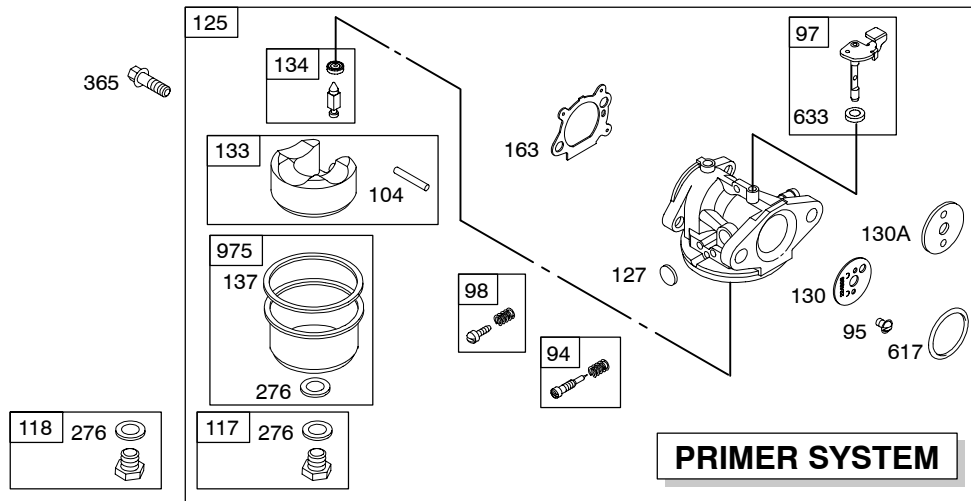
1330 REPAIR MANUAL



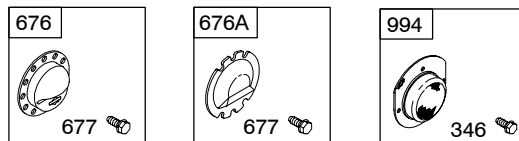
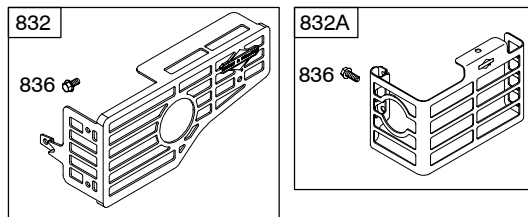
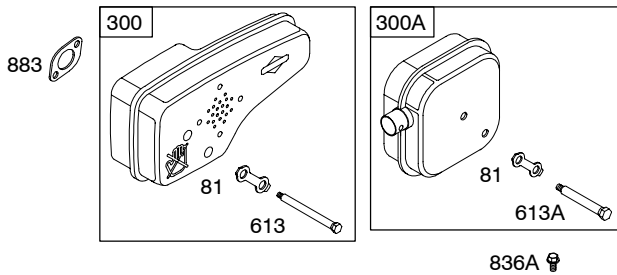
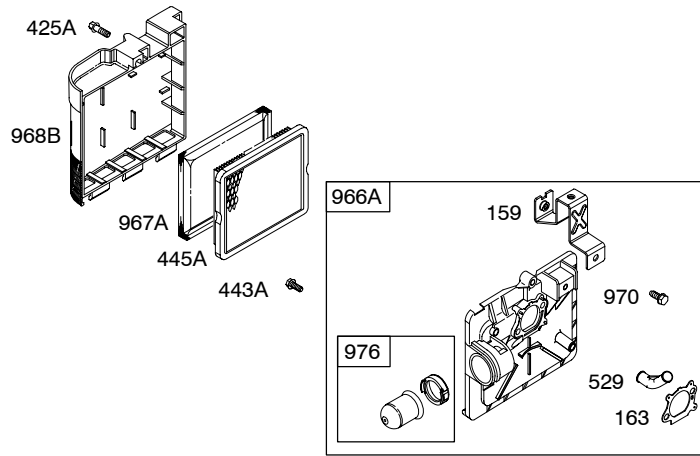
1019 LABEL KIT

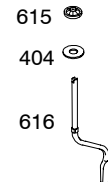
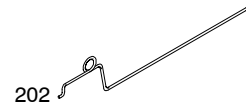
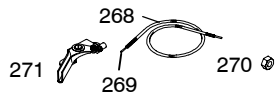
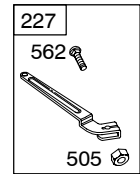
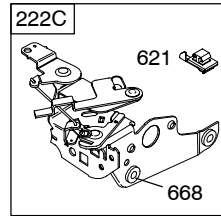
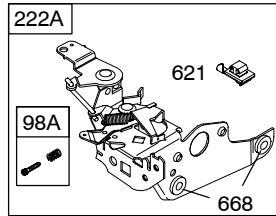
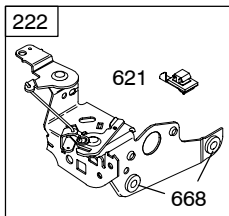
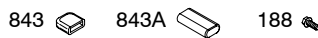
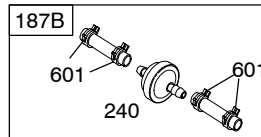
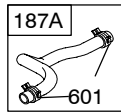
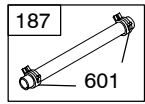
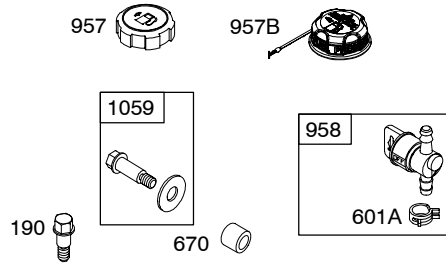
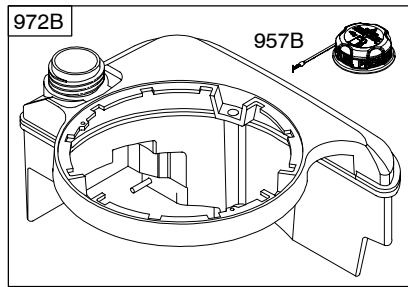


Illustrations cover a range of engines. Parts shown without corresponding text may not be used on your specific engine.
0558-2 Assemblies include all parts shown in frames. **11/28/2007**

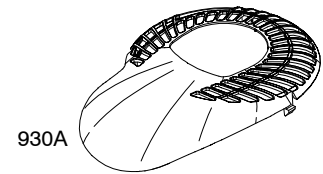
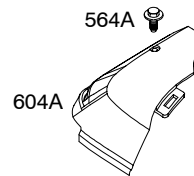
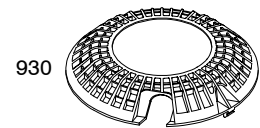
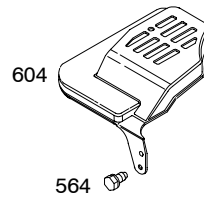
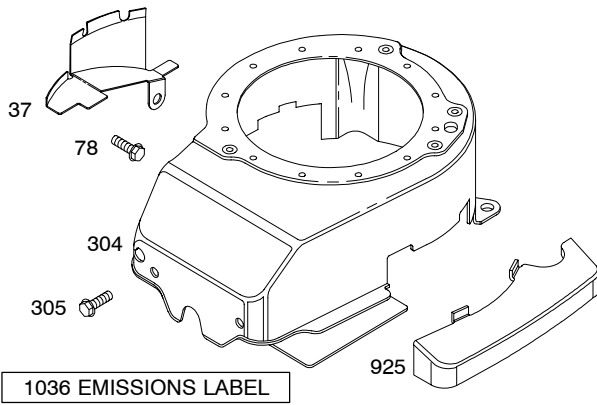
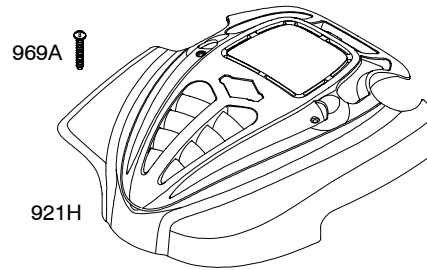
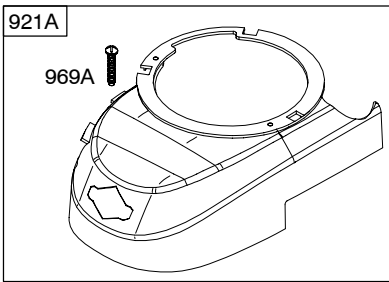
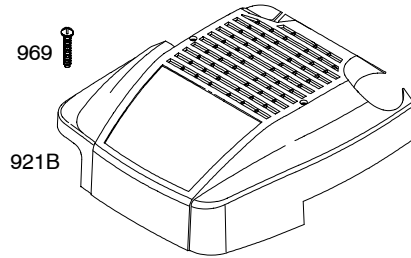
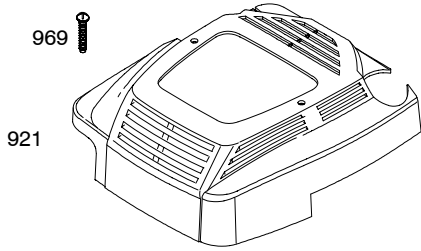


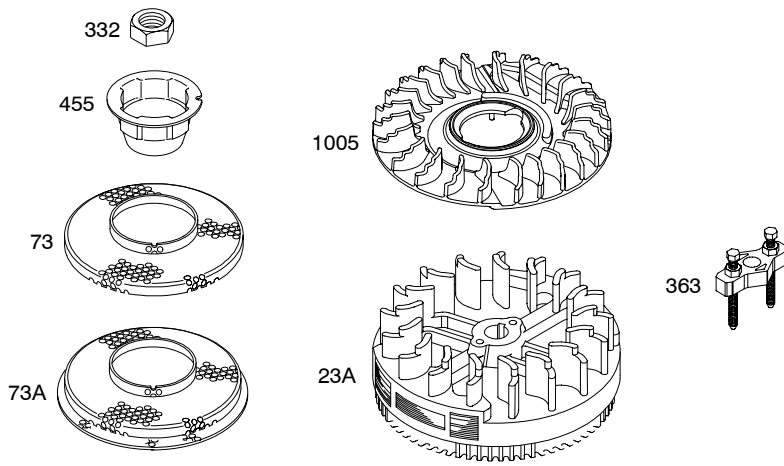
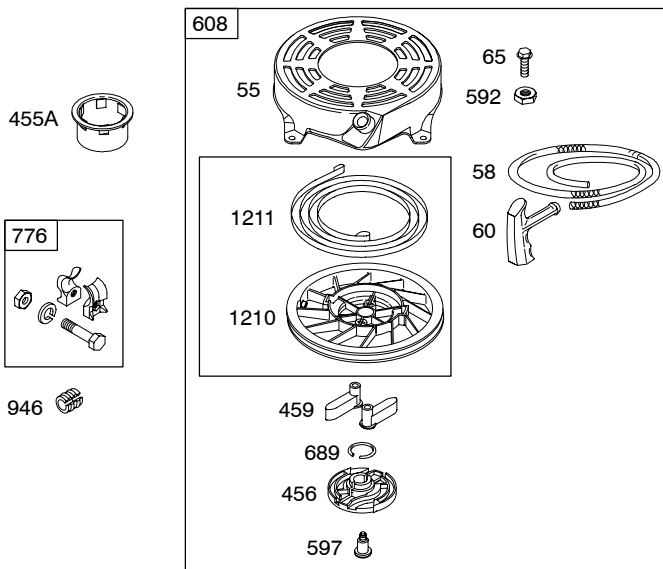
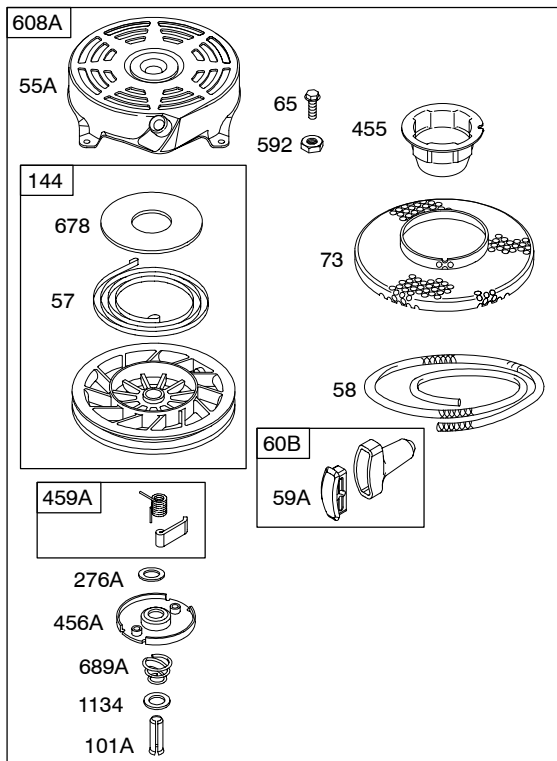
Illustrations cover a range of engines. Parts shown without corresponding text may not be used on your specific engine.
 0558-3 Assemblies include all parts shown in frames. 11/28/2007



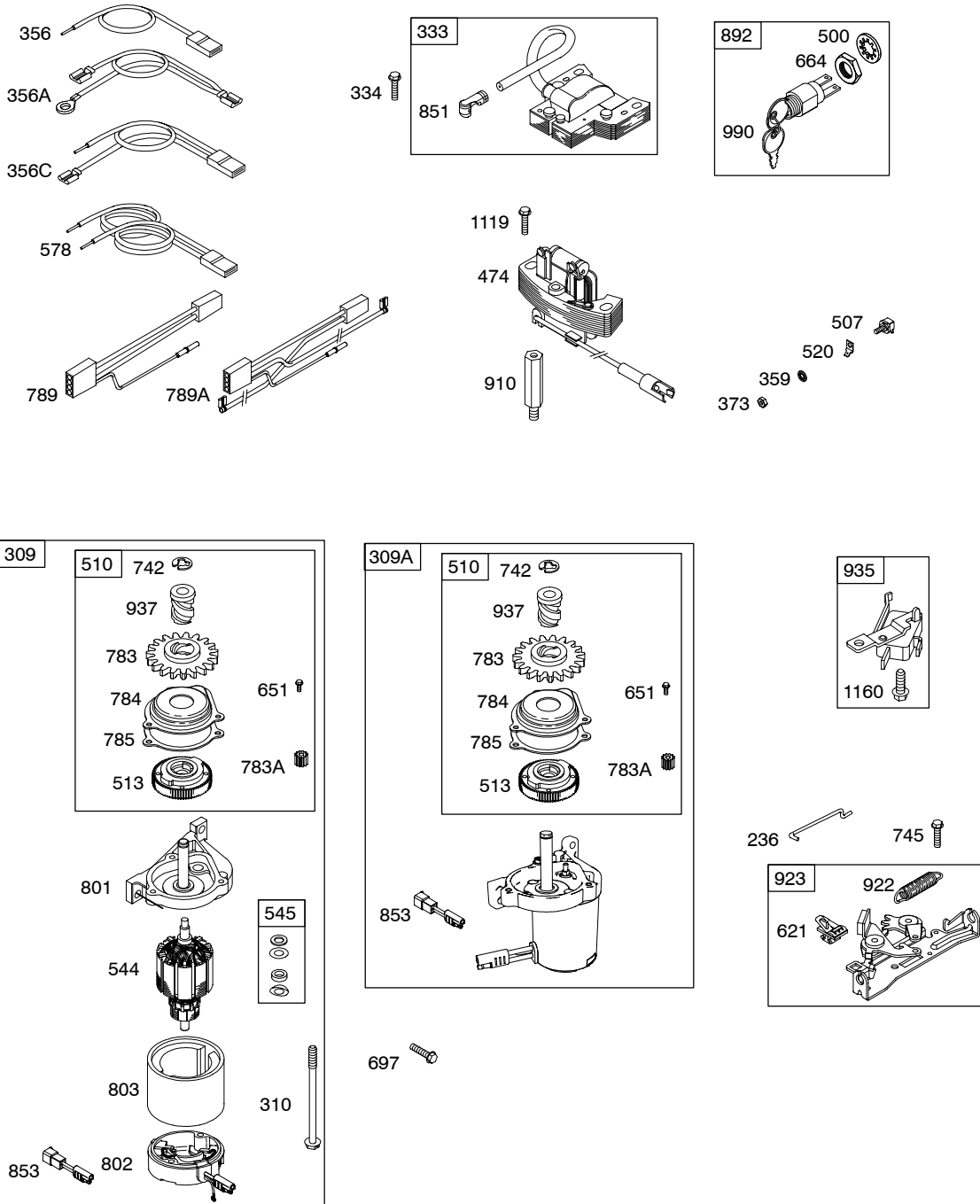


Illustrations cover a range of engines. Parts shown without corresponding text may not be used on your specific engine.
 0558-5 Assemblies include all parts shown in frames. 11/28/2007





0558-7 *Illustrations cover a range of engines. Parts shown without corresponding text may not be used on your specific engine.* Assemblies include all parts shown in frames.



Illustrations cover a range of engines. Parts shown without corresponding text may not be used on your specific engine.
0558-8 Assemblies include all parts shown in frames. **11/28/2007**

REF. NO.	PART NO.	DESCRIPTION	REF. NO.	PART NO.	DESCRIPTION	REF. NO.	PART NO.	DESCRIPTION
1	697324	Cylinder Assembly	16	691451	Crankshaft (Used After Code Date 97011200).		691452	Crankshaft (Used After Code Date 97011200).
2	399269	Kit-Bushing/Seal (Magneto Side)			----- Note -----			Used on Type No(s). 0822, 0828, 0835, 0845, 0848, 0855, 0865, 0881, 0889, 0893, 0899, 0917, 0918, 0919, 0920, 1143, 1520, 1962, 2319, 2343.
3	★299819S	Seal-Oil (Magneto Side)			694442 Crankshaft (Used Before Code Date 9701130).			694059 Crankshaft (Used Before Code Date 97011300).
4	493279	Sump-Engine						Used on Type No(s). 0822, 0828, 0835, 0845, 0848, 0855, 0865, 0881, 0889, 0893, 0899, 0917, 0918, 0919, 1143, 1520, 2343.
4A	493365	Sump-Engine (Auxiliary PTO)			691450 Crankshaft (Used After Code Date 97011200).			691455 Crankshaft (Used After Code Date 97011200).
5	691160	Head-Cylinder			Used on Type No(s). 0600, 0808, 0838, 0846, 0847, 0859, 0863, 0864, 0874, 0875, 0878, 0879, 0880, 0883, 0913, 1108, 1114, 1115, 1116, 1117, 1134, 1139, 1141, 1154, 1350, 1351, 1508, 1512, 1518, 1519, 1700, 1908, 1910, 1929, 1933, 1975, 2040, 2042, 2308, 2317, 2608, 2825, 2925, 3149, 3150, 3151.		Used on Type No(s). 0832, 0834, 0853, 0912, 1912, 2012, 2356, 2818, 2918.	
7	★Ø692249	Gasket-Cylinder Head			694440 Crankshaft (Used Before Code Date 97011300).			691375 Crankshaft (Used Before Code Date 97011300).
8	495786	Breather Assembly			Used on Type No(s). 0600, 0808, 0838, 0846, 0847, 0859, 0863, 0864, 0874, 0875, 0878, 0879, 0880, 0883, 0913, 1108, 1114, 1115, 1116, 1117, 1134, 1139, 1508, 1512, 1518, 1519, 2825.		Used on Type No(s). 0832, 0834, 0853, 0912, 2818.	
9	★Ø699833	Gasket-Breather			693017 Crankshaft (Used After Code Date 97011200).			692980 Crankshaft Used on Type No(s). 4305.
10	94650	Screw (Breather Assembly)			Used on Type No(s). 2824.			692000 Crankshaft Used on Type No(s). 1426.
11	691781	Tube-Breather			694441 Crankshaft (Used Before Code Date 97011300).			
12	★692232	Gasket-Crankcase			Used on Type No(s). 2824.			
13	690912	Screw (Cylinder Head)						
15	691680	Plug-Oil Drain (Square Socket)						
15A	691093	Plug-Oil Drain (Hex Socket)						

★ Included in Engine Gasket Set-Ref. No.358.

● Included in Carburetor Overhaul Kit-Ref. No. 121.

◆ Included in Carburetor Gasket Set-Ref. No. 977.

Ø Included in Valve Gasket Set-Ref. No 1095.

Illustrations cover a range of engines. Parts shown without corresponding text may not be used on your specific engine.

129800

REF. NO.	PART NO.	DESCRIPTION	REF. NO.	PART NO.	DESCRIPTION	REF. NO.	PART NO.	DESCRIPTION
20	★399781S	Seal–Oil (PTO Side)	26	795431	Ring Set (Standard) (Used After Code Date 07090300).	27	691866	Lock–Piston Pin (Used After Code Date 97011200).
20A	★691952	Seal–Oil (PTO Side) (Auxiliary PTO)			----- Note -----			----- Note -----
22	691092	Screw (Crankcase Cover/ Sump)			791098 Ring Set (Standard) (Used After Code Date 04031400 and Before Code Date 07090400).			691588 Lock–Piston Pin (Used Before Code Date 97011300).
23A	691987	Flywheel ----- Note -----			499425 Ring Set (Standard) (Used After Code Date 97011200 and Before Code Date 04031500).	28	499423	Pin–Piston (Standard) (Used After Code Date 97011200).
		691992 Flywheel Used on Type No(s). 0837, 0843, 0845, 0848, 0860, 0865, 0876, 0881, 0887, 1112, 1520, 1905, 1912, 1913, 1931, 1962, 2319, 2356.			493261 Ring Set (Standard) (Used Before Code Date 97011300).			----- Note -----
24	222698S	Key–Flywheel			795432 Ring Set (.020" Oversize) (Used After Code Date 04102100).			298909 Pin–Piston (Standard) (Used Before Code Date 97011300).
25	795429	Piston Assembly (Standard) (Used After Code Date 07090300).			791324 Ring Set (.020" Oversize) (Used After Code Date 04102100 and Before Code Date 07090400).	29	499424	Rod–Connecting (Standard) (Used After Code Date 97011200).
		----- Note -----			499427 Ring Set (.020" Oversize) (Used After Code Date 97011200 and Before Code Date 04102200).			----- Note -----
		791096 Piston Assembly (Used After Code Date 04031400 and Before Code Date 07090400).			493389 Ring Set (.020" Oversize) (Used Before Code Date 97011300).	32	691664	Screw (Connecting Rod)
		494058 Piston Assembly (Standard) (Used Before Code Date 97011300).			493390 Ring Set (.030" Oversize) (Used Before Code Date 97011300).	32A	695759	Screw (Connecting Rod) (Used After Code Date 00042200).
		795430 Piston Assembly (.020" Oversize) (Used After Code Date 07090300).				33	262651S	Valve–Exhaust
		791325 Piston Assembly (.020" Oversize) (Used After Code Date 04102100 and Before Code Date 07040400).				34	262652S	Valve–Intake
		494060 Piston Assembly (.020" Oversize) (Used Before Code Date 97011300).				35	691270	Spring–Valve (Intake)
						36	691270	Spring–Valve (Exhaust)
						37	694086	Guard–Flywheel
						40	692194	Retainer–Valve
						43	691997	Slinger–Governor/Oil
						45	690548	Tappet–Valve

★ Included in Engine Gasket Set–Ref. No.358.

● Included in Carburetor Overhaul Kit–Ref. No. 121.

◆ Included in Carburetor Gasket Set–Ref. No. 977.

⊘ Included in Valve Gasket Set–Ref. No 1095.

Illustrations cover a range of engines. Parts shown without corresponding text may not be used on your specific engine.

REF. NO.	PART NO.	DESCRIPTION	REF. NO.	PART NO.	DESCRIPTION	REF. NO.	PART NO.	DESCRIPTION
46	691449	Camshaft (Used After Code Date 96060200). ----- Note ----- 492830 Camshaft (Used Before Code Date 96060300).	65	690837	Screw (Rewind Starter)	104	●691242	Pin-Float Hinge
46A	691460	Camshaft (Clockwise) (Used After Code Date 96060200). ----- Note ----- 493740 Camshaft (Clockwise) (Used Before Code Date 96060300). 691459 Camshaft (Counterclockwise) (Used After Code Date 96060200). Used on Type No(s). 0689, 0832, 0841, 0850, 0860, 0867, 0873, 0877, 0878, 0883, 0905, 0906, 0915, 1111, 1138, 1930, 1932, 2034, 2039, 2355, 2851, 2026, 2043.	73	691221	Screen-Rotating	108	691182	Valve-Choke
50	497465	Manifold-Intake	73A	691222	Screen-Rotating	109	494218	Shaft-Choke
51	★272199S	Gasket-Intake	78	691108	Screw (Flywheel Guard)	109A	498593	Shaft-Choke
54	691650	Screw (Intake Manifold)	81	691740	Lock-Muffler Screw	117	494870	Jet-Main (Standard) (Used After Code Date 02092900). ----- Note ----- 498975 Jet-Main (Standard) (Used After Code Date 96060200 and Before Code Date 02093000). 494870 Jet-Main (Standard) (Used After Code Date 95102900 and Before Code Date 96060300). 497466 Jet-Main (Standard) (Used After Code Date 94070300 and Before Code Date 95103000). 493637 Jet-Main (Standard) (Used Before Code Date 94070400).
55	691421	Housing-Rewind Starter	83	691778	Shaft-Auxiliary Drive ----- Note ----- 690522 Shaft-Auxiliary Drive Used on Type No(s). 0841, 0910, 0914, 1111, 1930, 1932, 2039, 2355, 2851, 2950, 2951. 690523 Shaft-Auxiliary Drive Used on Type No(s). 0836, 1350, 1916, 1936. 690524 Shaft-Auxiliary Drive Used on Type No(s). 0689, 0832, 0860, 0867, 0873, 0877, 0878, 0883, 0905, 0906, 1138, 2026, 2029, 2043. 690521 Shaft-Auxiliary Drive Used on Type No(s). 1913.	117A	498976	Jet-Main (Standard) (Used After Code Date 96060200). ----- Note ----- 496063 Jet-Main (Standard) (Used Before Code Date 96060300). 498981 Jet-Main (Standard) Used on Type No(s). 1910. 494870 Jet-Main (Standard) Used on Type No(s). 2319.
55A	492831	Housing-Rewind Starter	94	●493765	Kit-Idle Mixture			
57	491889	Spring-Rewind Starter	95	691636	Screw (Throttle Valve)			
58	280399S	Rope-Starter (Cut To Required Length)	97	493267	Shaft-Throttle (Metal) ----- Note ----- 696565 Shaft-Throttle (Plastic)			
59A	396892	Insert-Grip	98	398185	Kit-Idle Speed			
60	281434S	Grip-Starter Rope (Pistol Grip)	98A	493280	Kit-Idle Speed			
60B	393152	Grip-Starter Rope (2 Piece)	101	691623	Pin-Shaft			
			101A	262626	Pin-Shaft			

★ Included in Engine Gasket Set-Ref. No.358.

● Included in Carburetor Overhaul Kit-Ref. No. 121.

◆ Included in Carburetor Gasket Set-Ref. No. 977.

⊘ Included in Valve Gasket Set-Ref. No 1095.

Illustrations cover a range of engines. Parts shown without corresponding text may not be used on your specific engine.

129800

REF. NO.	PART NO.	DESCRIPTION	REF. NO.	PART NO.	DESCRIPTION	REF. NO.	PART NO.	DESCRIPTION
118	497315	Jet–Main (High Altitude) (Used After Code Date 02092900). ----- Note ----- 497348 Jet–Main (High Altitude) (Used After Code Date 96060200 and Before Code Date 02093000). 497315 Jet–Main (High Altitude) (Used After Code Date 95102900 and Before Code Date 96060300). 496495 Jet–Main (High Altitude) (Used After Code Date 94070300 and Before Code Date 95103000). 496063 Jet–Main (High Altitude) (Used Before Code Date 94070400).	121	498260	Kit–Carburetor Overhaul	130A	691181	Valve–Throttle
			125	698444	Carburetor (Primer System) (Used After Code Date 96060200). ----- Note ----- 498170 Carburetor (Primer System) (Used Before Code Date 96060300).	133	398187	Float–Carburetor
			125A	498964	Carburetor (Choke System) (Used After Code Date 96060200). ----- Note ----- 497353 Carburetor (Choke System) (Used Before Code Date 96060300). 790978 Carburetor (Choke System) Used on Type No(s). 1910. 690000 Carburetor (Choke System) Used on Type No(s). 2319.	134	●398188	Kit–Needle/Seat
118A	498977	Jet–Main (High Altitude) (Used After Code Date 96060200). ----- Note ----- 497315 Jet–Main (High Altitude) (Used Before Code Date 96060300). 494870 Jet–Main (High Altitude) Used on Type No(s). 1910. 497315 Jet–Main (High Altitude) Used on Type No(s). 2319.				137	◆693981	Gasket–Float Bowl
						144	493824	Pulley/Spring Assembly
						146	690979	Key–Timing
						159	691753	Bracket–Air Cleaner Primer
						163	★◆272653	Gasket–Air Cleaner
						187	791766	Line–Fuel (Cut to Required Length)
						187A	791873	Line–Fuel (Molded)
						187B	791891	Line–Fuel (Includes Filter) (Used After Code Date 05063000). ----- Note ----- 692042 Line–Fuel (Includes Filter) (Used Before Code Date 05070100).
						188	690877	Screw (Control Bracket)
			127	●694468	Plug–Welch (3/8" Diameter)	190	690940	Screw (Fuel Tank)
			127A	●691739	Plug–Welch (5/16" Diameter)	202	691829	Link–Mechanical Governor
			130	691203	Valve–Throttle ----- Note ----- 696564 Valve–Throttle (Used With Plastic Throttle Shaft)			

★ Included in Engine Gasket Set–Ref. No.358.

● Included in Carburetor Overhaul Kit–Ref. No. 121.

◆ Included in Carburetor Gasket Set–Ref. No. 977.

⊘ Included in Valve Gasket Set–Ref. No 1095.

Illustrations cover a range of engines. Parts shown without corresponding text may not be used on your specific engine.

REF. NO.	PART NO.	DESCRIPTION	REF. NO.	PART NO.	DESCRIPTION	REF. NO.	PART NO.	DESCRIPTION																																																									
209	699056	Spring-Governor ----- Note ----- 691851 Spring-Governor Used on Type No(s). 0832, 0834, 0838, 0855, 0874, 0875, 0877, 0906, 0908, 0913, 0928, 1113, 1116, 1117, 1350, 1351, 1367, 1368, 1512, 1516, 1519, 1937, 1974, 1975, 2006, 2008, 2028, 2030, 2035, 2040, 2313, 2317, 2318, 3149, 3150, 3151. 691292 Spring-Governor Used on Type No(s). 0819, 0822, 0828, 0846, 0847, 0848, 0853, 0856, 0857, 0859, 0860, 0861, 0862, 0863, 0867, 0873, 0876, 0881, 0887, 0888, 0889, 0915, 0917, 0918, 0919, 0920, 1108, 1111, 1154, 1508, 1517, 1701, 1912, 1915, 1932, 1961, 1962, 2308, 2319, 2608, 2617. 691291 Spring-Governor Used on Type No(s). 0864, 0878, 0883, 1905, 1913, 2034, 2356, 4305. 691290 Spring-Governor Used on Type No(s). 0836, 1916, 1936. 690568 Spring-Governor Used on Type No(s). 0865.	209A	691835	Spring-Governor ----- Note ----- 691834 Spring-Governor Used on Type No(s). 0426,0437,0441,1134, 1139,1415,1416,1418, 1424,1425,1426,1460, 2860. 691833 Spring-Governor Used on Type No(s). 0410,0411,0412,0413, 0429,0435,0474,0475, 0813,0835,0927,1518, 1520. 691832 Spring-Governor Used on Type No(s). 0425,0470. 691276 Spring-Governor Used on Type No(s). 0415,0416,0905,0907, 0909. 691275 Spring-Governor Used on Type No(s). 0514,0515. 690569 Spring-Governor Used on Type No(s). 0472,0872,0879,0880, 1114,1115,1141. 690567 Spring-Governor Used on Type No(s). 0436. 262661 Spring-Governor Used on Type No(s). 0208,0508. 262659 Spring-Governor Used on Type No(s). 0100,0120,0126,0180, 0408,0513,1451. 262658 Spring-Governor Used on Type No(s). 0432,0434. 791157 Spring-Governor Used on Type No(s). 1910.	217	690354	Spring-Choke Return	222	790143	Bracket-Control (Remote/Manual Friction)(Primer)	222A	692021	Bracket-Control (Remote Choke A Matic, Non Compliance) ----- Note ----- 690839 Bracket-Control (Manual Friction) (Choke A Matic) Used on Type No(s). 2860. 790982 Bracket-Control Used on Type No(s). 1910.	222C	692150	Bracket-Control Used on Type No(s). 2319.	227	690783	Lever-Governor Control	236	691826	Link-Lockout	240	298090S	Filter-Fuel	265	690798	Clamp-Casing	265A	691024	Clamp-Casing	265B	692179	Clamp-Casing	267	691044	Screw (Casing Clamp)	268	691025	Casing-Control Wire (Cut To Required Length)	269	691026	Wire-Control (Cut To Required Length)	270	691027	Nut (Control Wire Casing)	271	691028	Lever-Control	276 ◆◆	271716	Washer-Sealing	276A	280973	Washer-Sealing	287	690940	Screw (Dipstick Tube)	300	496106S	Muffler	300A	494343S	Muffler

★ Included in Engine Gasket Set-Ref. No.358.

● Included in Carburetor Overhaul Kit-Ref. No. 121.

◆ Included in Carburetor Gasket Set-Ref. No. 977.

⊗ Included in Valve Gasket Set-Ref. No 1095.

Illustrations cover a range of engines. Parts shown without corresponding text may not be used on your specific engine.

129800

REF. NO.	PART NO.	DESCRIPTION	REF. NO.	PART NO.	DESCRIPTION	REF. NO.	PART NO.	DESCRIPTION
304	493294	Housing-Blower (Non Compliance) ----- Note ----- 493293 Housing-Blower (Compliance) 695892 Housing-Blower Used on Type No(s). 1141, 1910, 2025.	358	497316	Gasket Set-Engine (Used After Code Date 94063000). ----- Note ----- 496117 Gasket Set-Engine (Used Before Code Date 94070100).	520	691084	Terminal-Ground
305	691108	Screw (Blower Housing)	359	691077	Washer (Ground Terminal)	523	499621	Dipstick
306	690450	Shield-Cylinder	363	19069	Flywheel Puller	524	★692296	Seal-Dipstick Tube
307	690345	Screw	365	691688	Screw (Carburetor)	525	495265	Tube-Dipstick
309	695550	Motor-Starter (Used Before Code Date 07052900).	373	691612	Nut (Ground Terminal)	529	691923	Grommet
309A	795092	Motor-Starter (Used After Code Date 07052800). (Cylinder Shield)	374	691074	Washer (Camshaft)	544	690786	Armature-Starter
310	692327	Bolt (Starter Motor)	383	89838S	Wrench-Spark Plug	545	492919	Washer Set (Starter Motor)
332	690662	Nut (Flywheel)	404	690272	Washer (Governor Crank)	562	92613	Bolt (Governor Control Lever)
333	802574	Armature-Magneto	425A	690670	Screw (Air Cleaner Cover)	564	690664	Screw (Control Cover)
334	691061	Screw (Magneto Armature)	443A	692523	Screw (Air Cleaner Primer Base)	564A	691142	Screw (Control Cover)
337	802592S	Plug-Spark (Resistor) ----- Note ----- 697451 Plug-Spark (EMS)	445A	491588S	Filter-Air Cleaner Cartridge	578	398153	Wire Assembly
346	690661	Screw (Spark Arrestor)	455	791960	Cup-Flywheel (Tapered Side Cup)	584	697734	Cover-Breather Passage
356	692390	Wire-Stop	455A	224250	Cup-Flywheel (Straight Side Cup)	585	★691879	Gasket-Breather Passage
356A	690650	Wire-Stop	456	692299	Plate-Pawl Friction	592	690800	Nut (Rewind Starter)
356C	690808	Wire-Stop	456A	224321	Plate-Pawl Friction	597	691696	Screw (Pawl Friction Plate)
357	695867	Key-Drive Pulley	459	281505S	Pawl-Ratchet	601	791850	Clamp-Hose
357A	692191	Key-Drive Pulley (3/16" Square) ----- Note ----- 691483 Key-Drive Pulley (1/4" Square)	459A	492833	Pawl-Ratchet	601A	691038	Clamp-Hose
			474	691991	Alternator	604	691757	Cover-Control
			500	691086	Washer (Key Switch)	604A	691344	Cover-Control
			505	691251	Nut (Governor Control Lever)	608	497680	Starter-Rewind
			507	691972	Insulator	608A	497598	Starter-Rewind
			510	795093	Drive-Starter	613	691340	Screw (Muffler)
			513	692358	Clutch-Drive	613A	691653	Screw (Muffler)
						615	690340	Retainer-Governor Shaft
						616	698801	Crank-Governor
						617★◆	270344	Seal-O Ring (Intake Manifold)
						621	692310	Switch-Stop
						633◆◆	691321	Seal-Choke/Throttle Shaft
						633A◆◆	693867	Seal-Choke/Throttle Shaft

★ Included in Engine Gasket Set-Ref. No.358.

● Included in Carburetor Overhaul Kit-Ref. No. 121.

◆ Included in Carburetor Gasket Set-Ref. No. 977.

∅ Included in Valve Gasket Set-Ref. No 1095.

Illustrations cover a range of engines. Parts shown without corresponding text may not be used on your specific engine.

REF. NO.	PART NO.	DESCRIPTION	REF. NO.	PART NO.	DESCRIPTION	REF. NO.	PART NO.	DESCRIPTION
635	66538S	Boot-Spark Plug	743	690516	Gear-Drive	801	690782	Cap-Drive
651	691660	Screw (Starter Gear Cover)			----- Note -----	802	695267	Cap-End (Used After Code Date 00040600).
664	691087	Nut (Key Switch)			691772 Gear-Drive (Counterclockwise) Used on Type No(s). 0689, 0832, 0841, 0850, 0860, 0867, 0873, 0877, 0878, 0883, 0905, 0906, 0915, 1111, 1138, 1930, 1932, 2026, 2029, 2039, 2043, 2355, 2851, 2951.			----- Note -----
668	★493823	Spacer						695975 Cap-End (Used Before Code Date 00040700).
670	692294	Spacer-Fuel Tank						
676	396548	Deflector-Muffler (Single Louver)				803	695266	Housing-Starter (Used After Code Date 00040600).
676A	393756	Deflector-Muffler (Direct Out) (3/4" Diameter)						----- Note -----
677	690661	Screw (Muffler Deflector)	745	691648	Screw (Brake)			695975 Housing- Starter (Used Before Code Date 00040700).
678	224278	Spacer-Rewind	776	396526	Guide-Rope			
684	690345	Screw (Breather Passage Cover)	783	691918	Gear-Pinion (Starter Drive) (19 Teeth)	832	499034	Guard-Muffler
689	691855	Spring-Friction				832A	691424	Guard-Muffler
689A	262625	Spring-Friction	783A	691269	Gear-Pinion (12 Teeth)	836	690664	Screw (Muffler Guard)
692	690572	Spring-Detent				836A	690661	Screw (Muffler Guard)
697	692127	Screw (Drive Cap)	784	795095	Cover-Starter Gear	842	★691031	Seal-O Ring (Dipstick Tube)
715	691147	Screw (Shaft Stop)	785	692352	Gasket-Starter Cover	843	691884	Sleeve-Lever (Speed Control)
718	690959	Pin-Locating	789	696546	Harness-Wiring (Used After Code Date 00040600).			
721	690449	Stop-Shaft			----- Note -----	843A	691895	Sleeve-Lever (Choke)
741	794388	Gear-Timing (Use Without Woodruff Key) (Used After Code Date 07093000).			690790 Harness- Wiring (Used Before Code Date 00040700).	847	692047	Dipstick/Tube Assembly
		----- Note -----	789A	696547	Harness-Wiring (Used After Code Date 00040600).	851	493880	Terminal-Spark Plug
		790345 Gear-Timing (Use Without Woodruff Key) (Used Before Code Date 07100100).			----- Note -----	853	695268	Adapter-Wire ----- Note -----
		691830 Gear-Timing (Uses Woodruff Key)			691372 Harness- Wiring (Used Before Code Date 00040700).			698471 Adapter-Wire Used on Type No(s). 2045.
742	93941	Retainer-E Ring			494544 Harness- Wiring Used on Type No(s). 0515.	868	697338	Seal-Valve
						869	691155	Seat-Valve (Intake)
						870	690380	Seat-Valve (Exhaust)

★ Included in Engine Gasket Set-Ref. No.358.

● Included in Carburetor Overhaul Kit-Ref. No. 121.

◆ Included in Carburetor Gasket Set-Ref. No. 977.

⊘ Included in Valve Gasket Set-Ref. No 1095.

Illustrations cover a range of engines. Parts shown without corresponding text may not be used on your specific engine.

129800

REF. NO.	PART NO.	DESCRIPTION	REF. NO.	PART NO.	DESCRIPTION	REF. NO.	PART NO.	DESCRIPTION
871	262001	Bushing-Valve Guide (Exhaust) ----- Note ----- 63709 Bushing-Valve Guide (Intake)	930	691919	Guard-Rewind	990	691959	Key Set
883	691881	Gasket-Exhaust	930A	691345	Guard-Rewind	994	398067	Arrestor-Spark
892	690646	Switch-Key	935	499421	Switch-Interlock	1005	691346	Fan-Flywheel
910	691094	Stud (Alternator)	937	691325	Spline-Starter	1019	494256	Kit-Label
921	497233	Cover-Blower Housing	946	691738	Stop-Rope	1036		Label-Emissions (Available From A Briggs & Statton Authorized Dealer)
921A	695886	Cover-Blower Housing	957	397974S	Cap-Fuel Tank (Plastic)	1058	277039	Operator's Manual
921B	692931	Cover-Blower Housing	957B	699985	Cap-Fuel Tank (Plastic)	1059	692311	Kit-Screw/Washer
921H	790037	Cover-Blower Housing	958	698183	Valve-Fuel Shut Off (Plastic)	1095	498528	Gasket Set-Valve
922	691831	Spring-Brake ----- Note ----- 692135 Spring-Brake Used on Type No(s). 1141, 1910, 2025.	966A	496116	Base-Air Cleaner Primer	1119	691648	Screw (Alternator)
923	691994	Brake ----- Note ----- 695891 Brake Used on Type No(s). 1141, 1910, 2025.	967A	493537S	Filter-Pre Cleaner	1134	224322	Washer (Pawl Friction Plate)
925	795403	Cover-Linkage (Used After Code Date 07072200). ----- Note ----- 690595 Cover-Linkage (Used Before Code Date 07072300).	968B	692298	Cover-Air Cleaner	1160	690345	Screw (Interlock Switch)
			969	690700	Screw (Blower Housing Cover)	1210	498144	Pulley/Spring Assembly (Pulley)
			969A	691138	Screw (Blower Housing Cover)	1211	498144	Pulley/Spring Assembly (Spring)
			970	691669	Screw (Air Cleaner Primer Bracket)	1319	794467	Label-Warning
			972B	699374	Tank-Fuel (Plastic)	1330	270962	Manual-Repair
			975	493640	Bowl-Float			
			976	694395	Primer-Carburetor			
			977	498261	Gasket Set-Carburetor			

★ Included in Engine Gasket Set-Ref. No.358.

● Included in Carburetor Overhaul Kit-Ref. No. 121.

◆ Included in Carburetor Gasket Set-Ref. No. 977.

∅ Included in Valve Gasket Set-Ref. No 1095.

Illustrations cover a range of engines. Parts shown without corresponding text may not be used on your specific engine.